

Revolution Digester Mangrove®

BioHiTech America, A Renovare Environmental Company

Capacity & Dimensions

24-hour Capacity	up to 1400 lb	up to 634 kg
Width	72"	182 cm
Height	37"	93 cm
Depth	34"	85 cm
Weight	900 lbs	408 kg

Utility Usage

Water Consumption	45-75 gallons (170-288 l) / day
Power Consumption	235 - 315 kilowatt hours / month
Effluent Discharge	75-140 gal (284-530 l) / day

Utility Connections

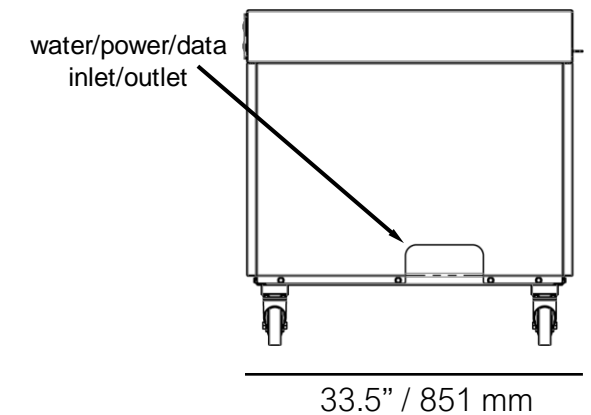
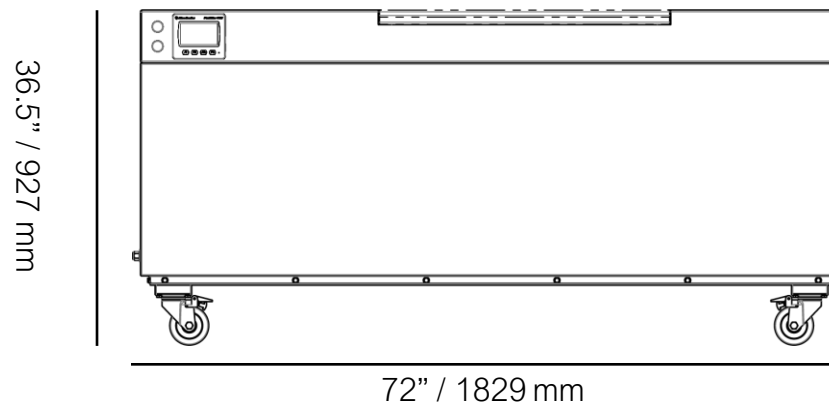
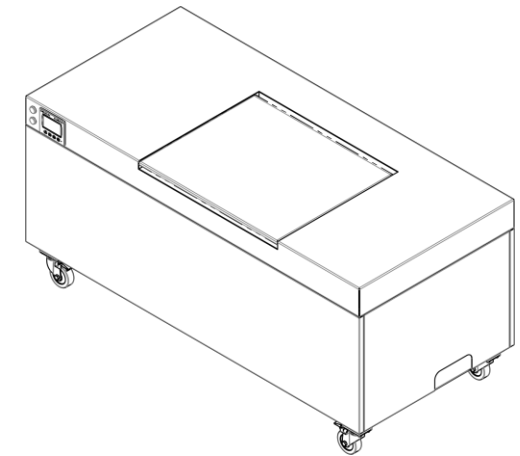
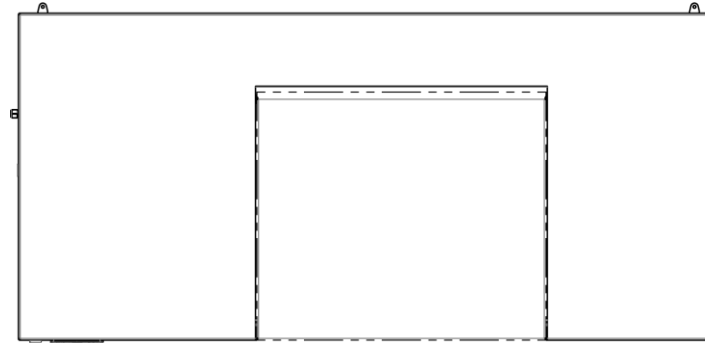
- 1 Water, Power, Ethernet Port, Cable for Data Access
- 2 Effluent (to sewer line) - 2" OD, 1.5" NPT ID

Utility Requirements

Power	United States: 15 Amp, 115V AC [1] International: 220V/50Hz or 220V/60Hz AC [2]
Water	Warm water 90°-110° F (32°-43° C) Water pressure 50 - 80 PSI (3.5 - 5.5 bars)

[1] Requires a non-GFI (Ground Fault Interrupter) outlet with a 15 Amp (minimum) breaker and consistent voltage.

[2] Access to 187V to 240V AC Power Outlet at 50/60Hz (plug type will be sourced locally and may vary by country). Access to 16 Amp wall-mounted socket with isolator backed up with a 16 amp type d rated breaker (motor and inverter rated). The outlet should be a non-GFI (Ground Fault Interrupter) outlet. GFI outlets are not supported at this time. Integrity of power source is vital. Incoming power must supply consistent voltage.



renovare
environmental

80 Red Schoolhouse Road, Suite 101, Chestnut Ridge, NY 10977 • 888-876-9300



renovareenv.com

Revolution Digester Mangrove®

Capacity & Dimensions

24-hour Capacity	up to 1400 lb	up to 636 kg
Width	72"	1828.8 mm
Height	36.5"	927.1 mm
Depth	33.46"	850.9 mm
Weight	900 lbs	408 kg

Utility Usage

Water Consumption	45-75 gallons (170-288 L) / day
Power Consumption	235 kilowatt hours / month
Effluent Discharge	75-138 gal (288-475 L) / day

Utility Connections

- ① ③ Water, Power, Ethernet Port, Cable for Data Access
- ② Effluent (to sewer line) - 2" OD, 1.5" NPT ID

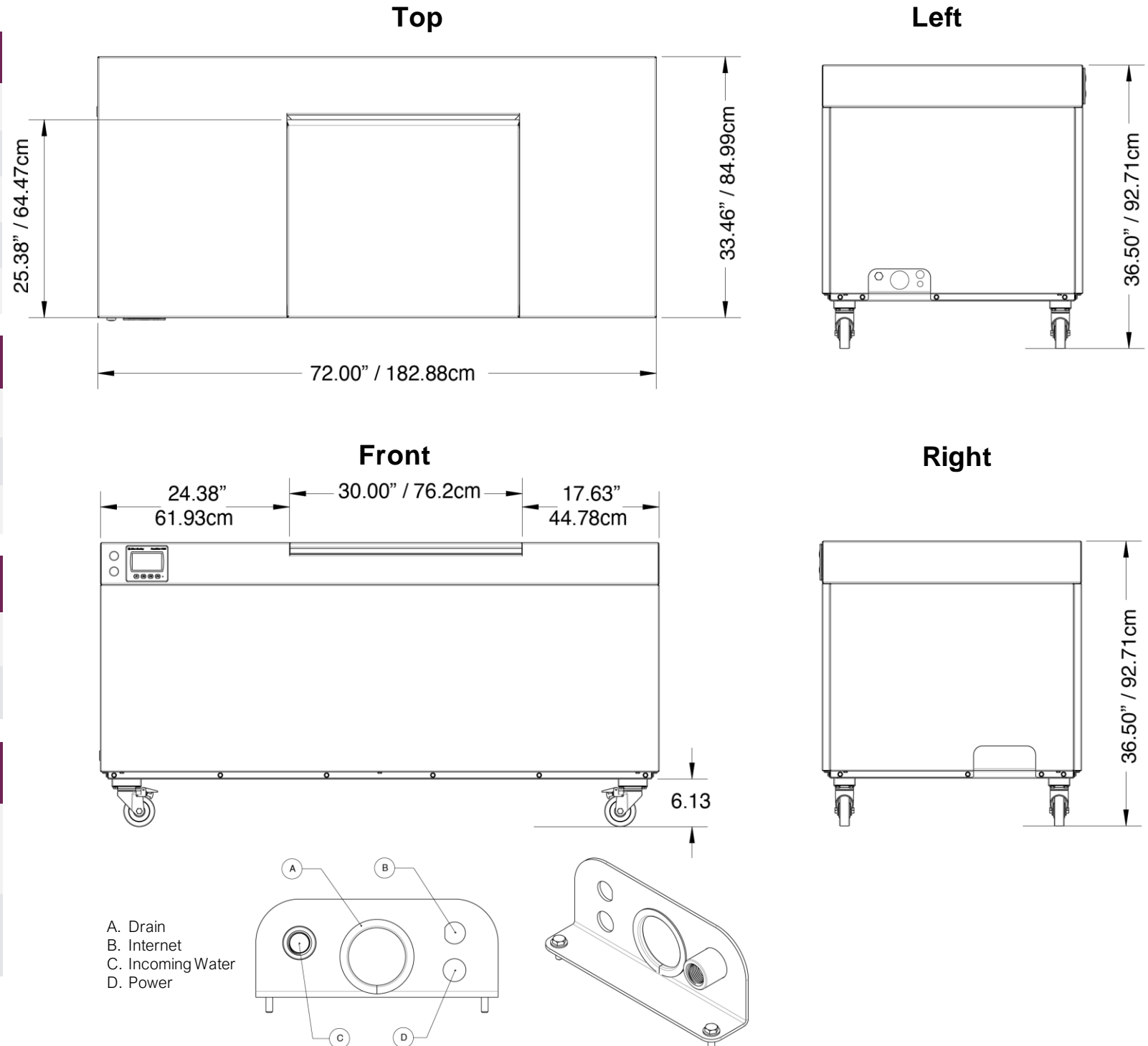
Utility Requirements

Power	United States: 15 Amp, 115V AC [1] International: 220V/50Hz or 220V/60Hz AC [2]
Water	Warm water 90°-110° F (32°-43° C) Water pressure 50 - 80 PSI (3.5 - 5.5 bars)

[1] Requires a non-GFI (Ground Fault Interrupter) outlet with a 15 Amp (minimum) breaker and consistent voltage.

[2] Access to 187V to 240V AC Power Outlet at 50/60Hz (plug type will be sourced locally and may vary by country). Access to 16 Amp wall-mounted socket with isolator backed up with a 16 amp type d rated breaker (motor and inverter rated). The outlet should be a non-GFI (Ground Fault Interrupter) outlet. GFI outlets are not supported at this time. Integrity of power source is vital. Incoming power must supply consistent voltage.

[3] Power, water, network, and drain are located on the left-hand side but can be field changed to the right-hand side.



renovare
environmental

80 Red Schoolhouse Road, Suite 101, Chestnut Ridge, NY 10977 • 888-876-9300

renovareenv.com